

Barudan

HIGH SPEED AUTOMATIC EMBROIDERY MACHINE

**ELITE Jr.
BEDT-ZN-101**

PARTS LIST

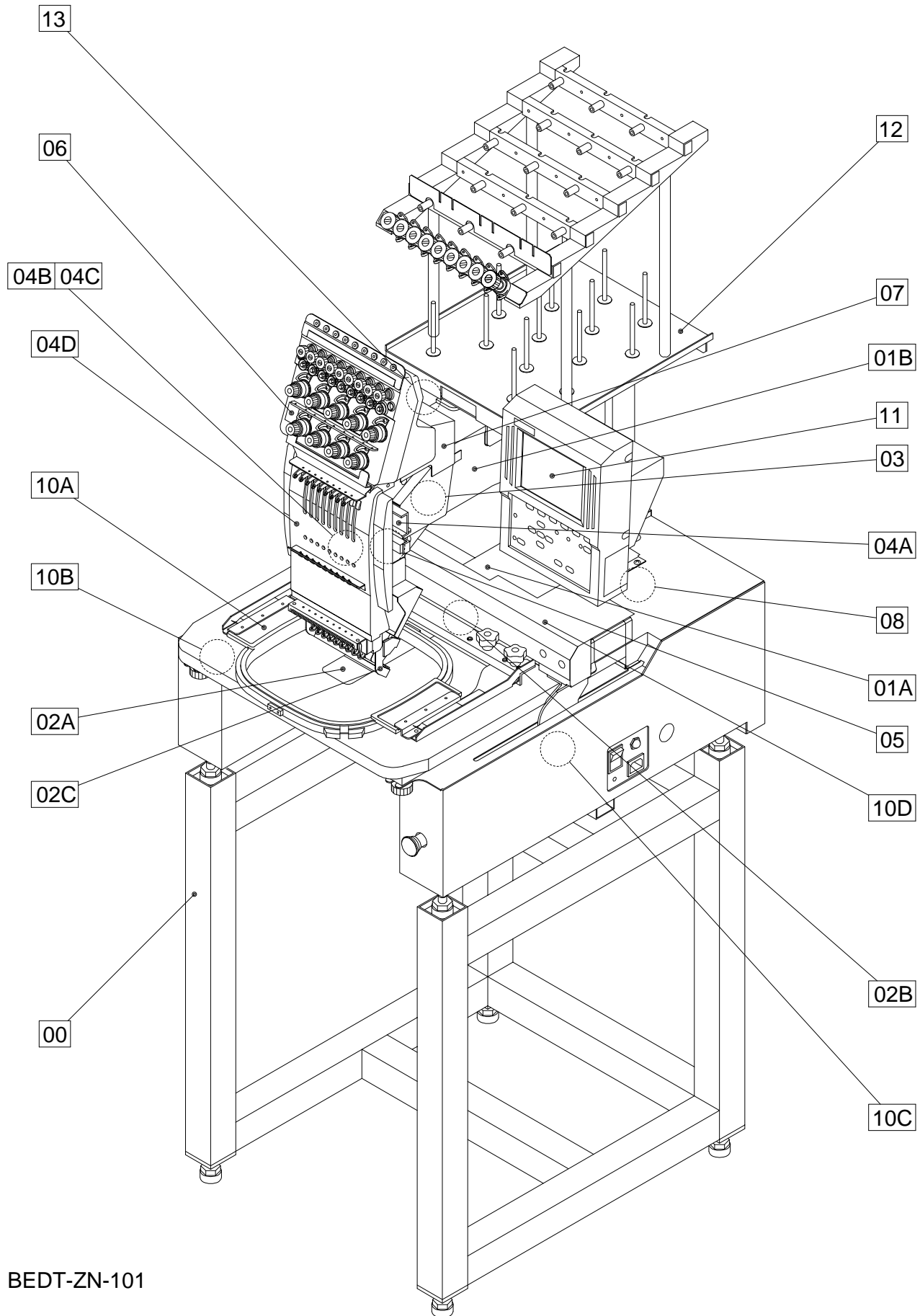
ELITE Jr. BEDT-ZN-101

HIGH SPEED AUTOMATIC EMBROIDERY MACHINE

CONTENTS

00 Table-Frame	05 Jump
01A Head-Bed A	06 Thread guide
01B Head-Bed B	07 Color change
02A Thread cut A	08 Drive
02B Thread cut B	10A Pantograph drive A (QS)
02C Thread cut C	10B Pantograph drive B (QS)
03 Take up lever	10C Pantograph drive C
04A Needle bar A	10D Pantograph drive D
04B Needle bar B	11 Control
04C Needle bar C	12 Accessories
04D Needle bar D	13 Lower thread roll

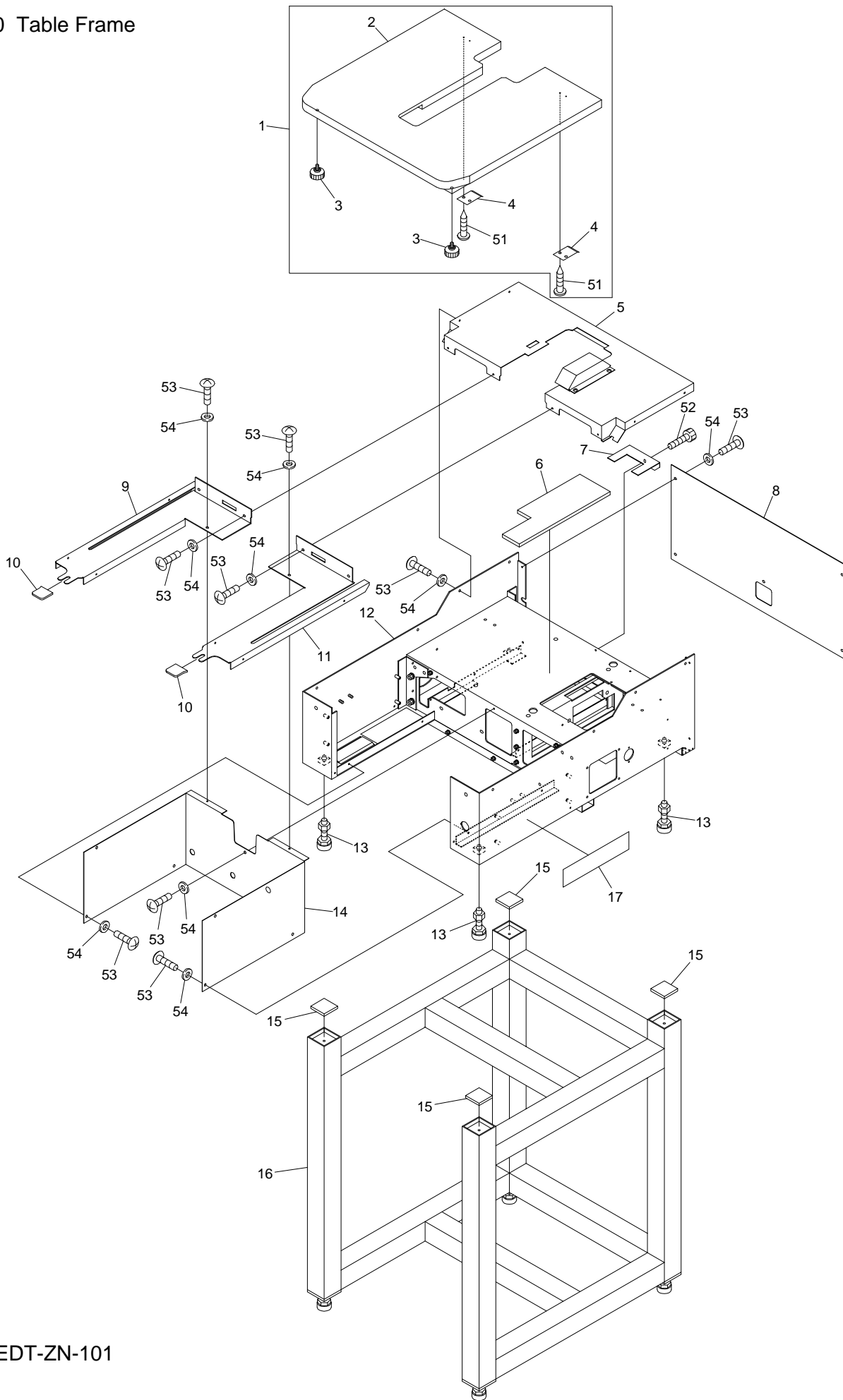
Machine layout (BEDT-ZN-101)



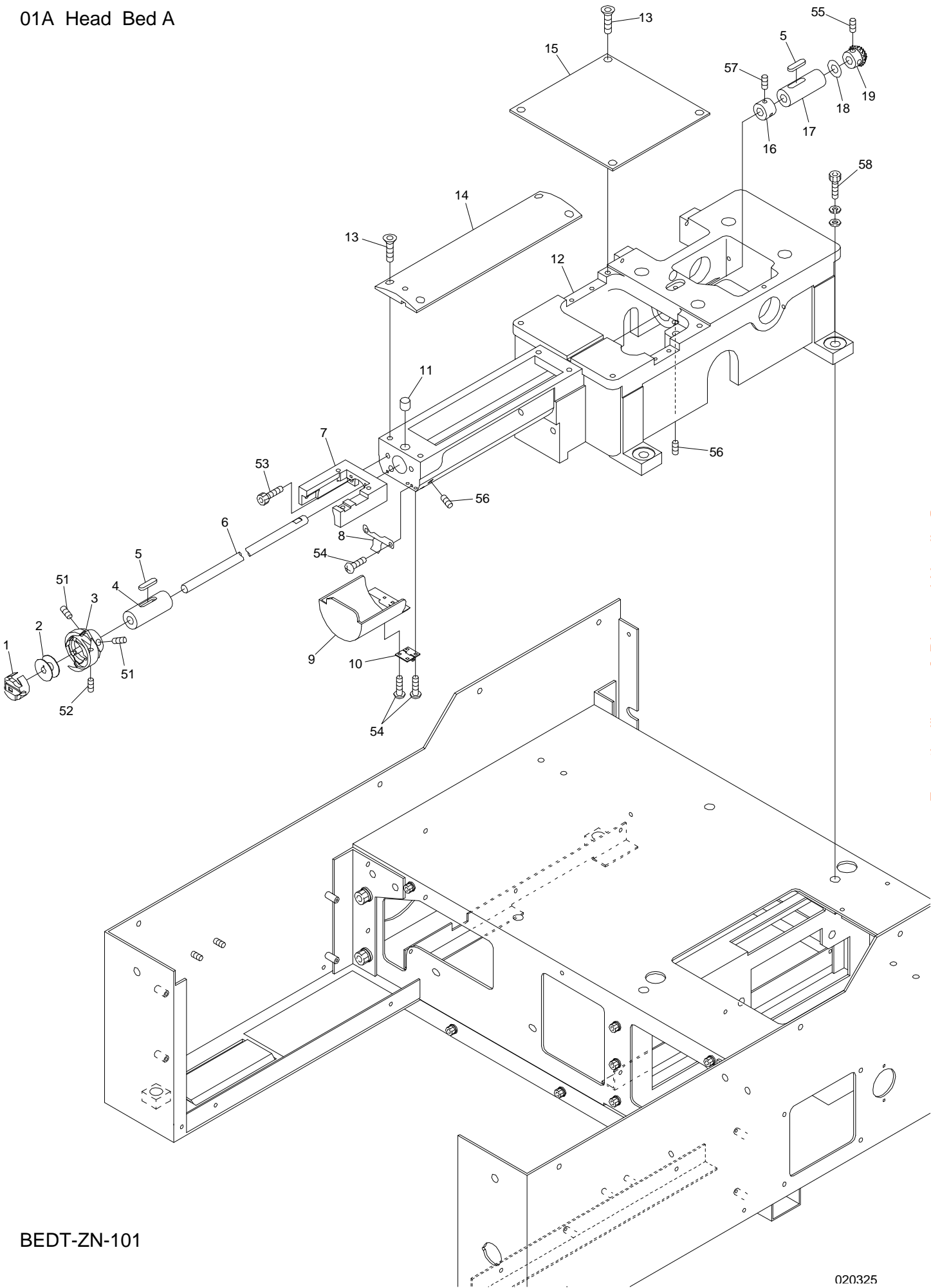
From the library of: Diamond Needle Corp

BEDT-ZN-101

00 Table Frame

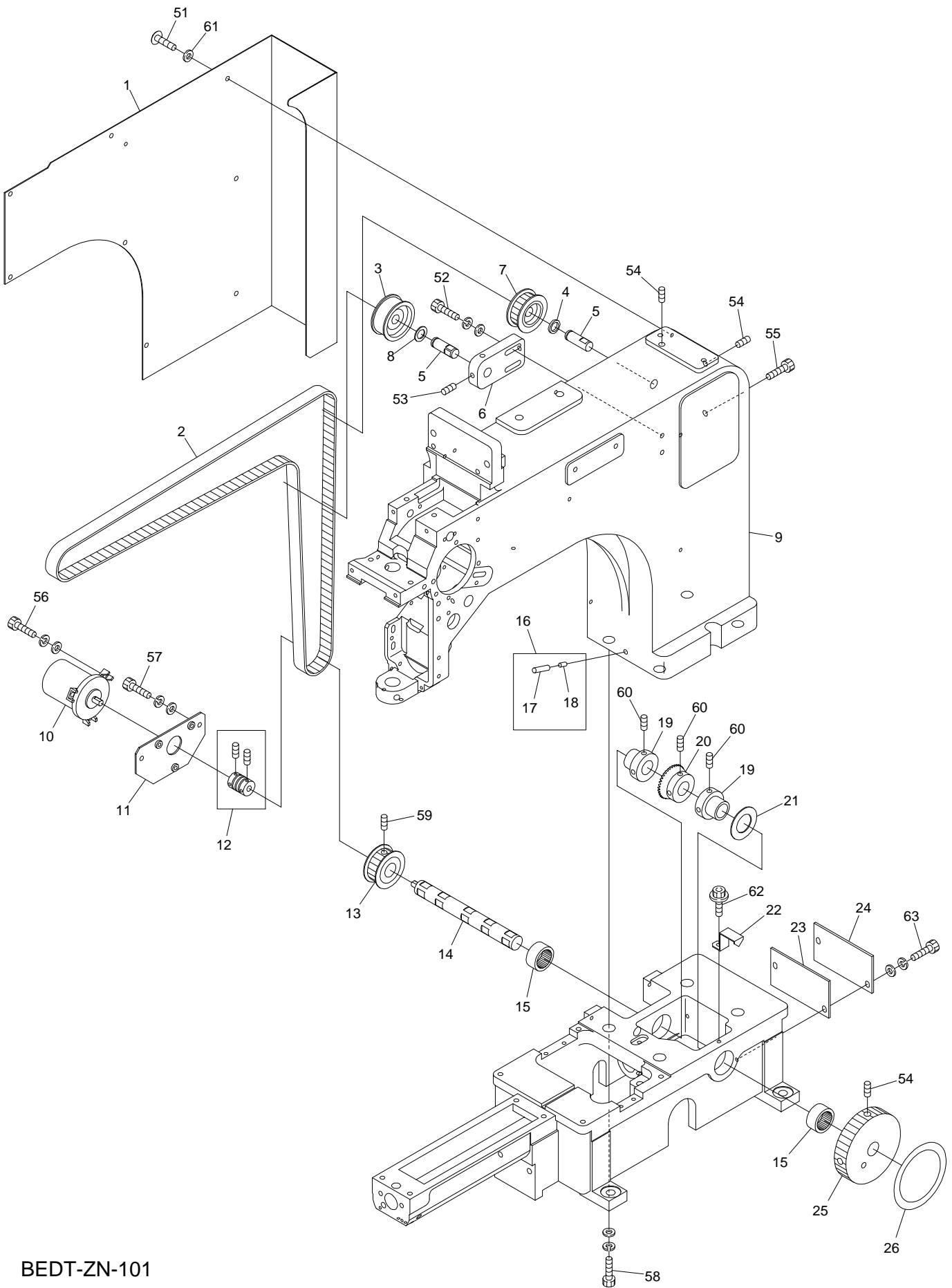


01A Head Bed A



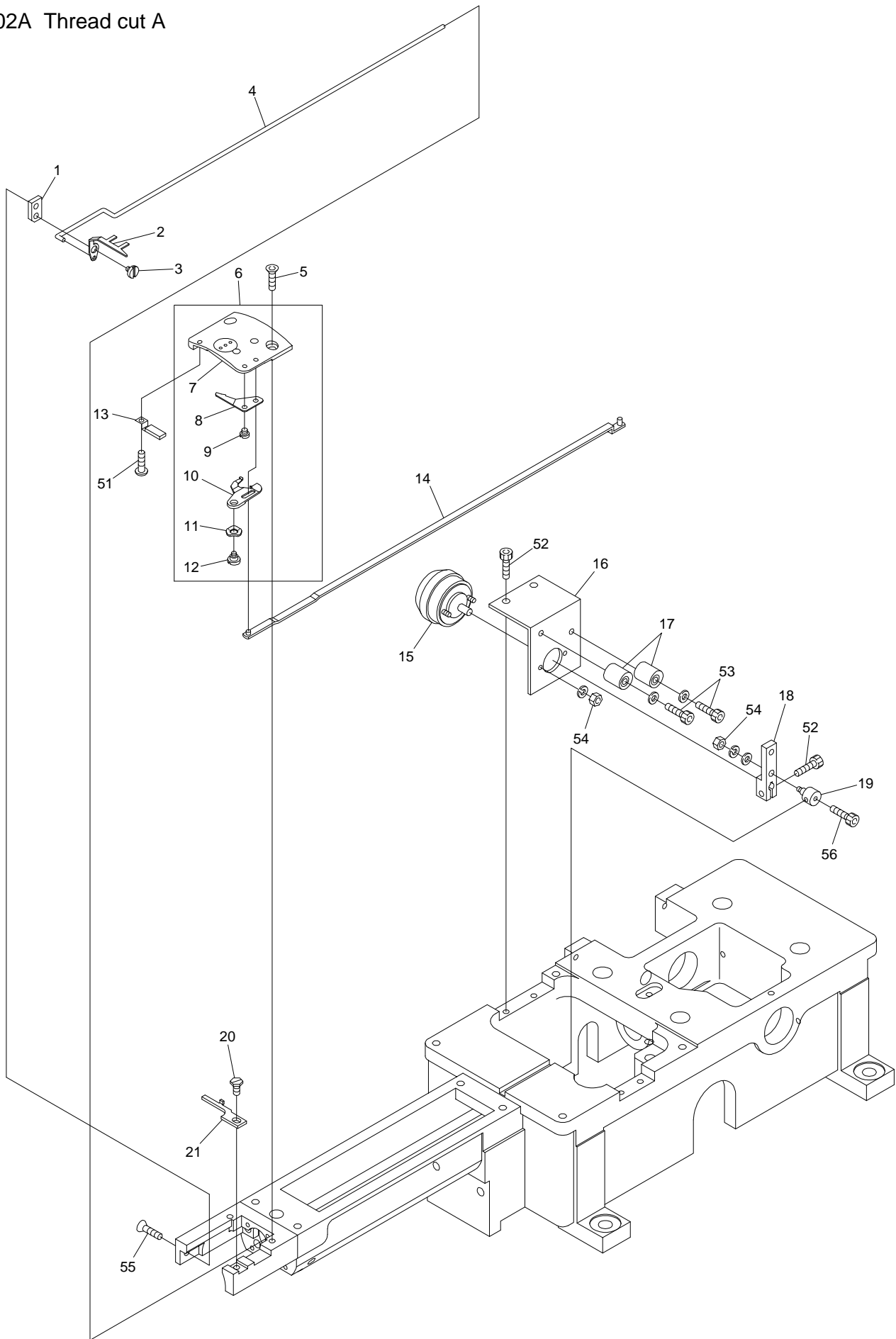
From the library of: Diamond Needle Corp

01B Head Bed B



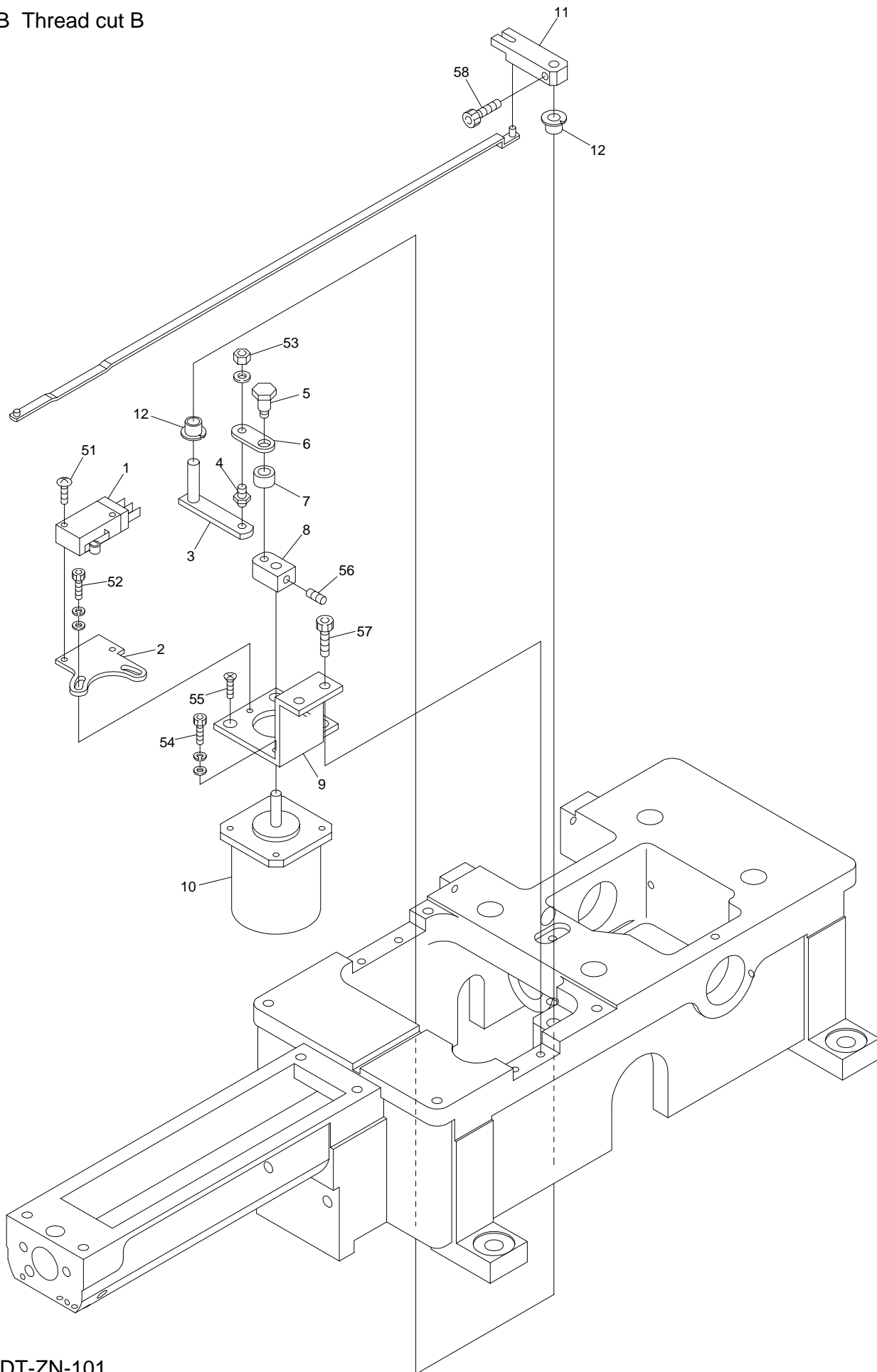
BEDT-ZN-101

02A Thread cut A



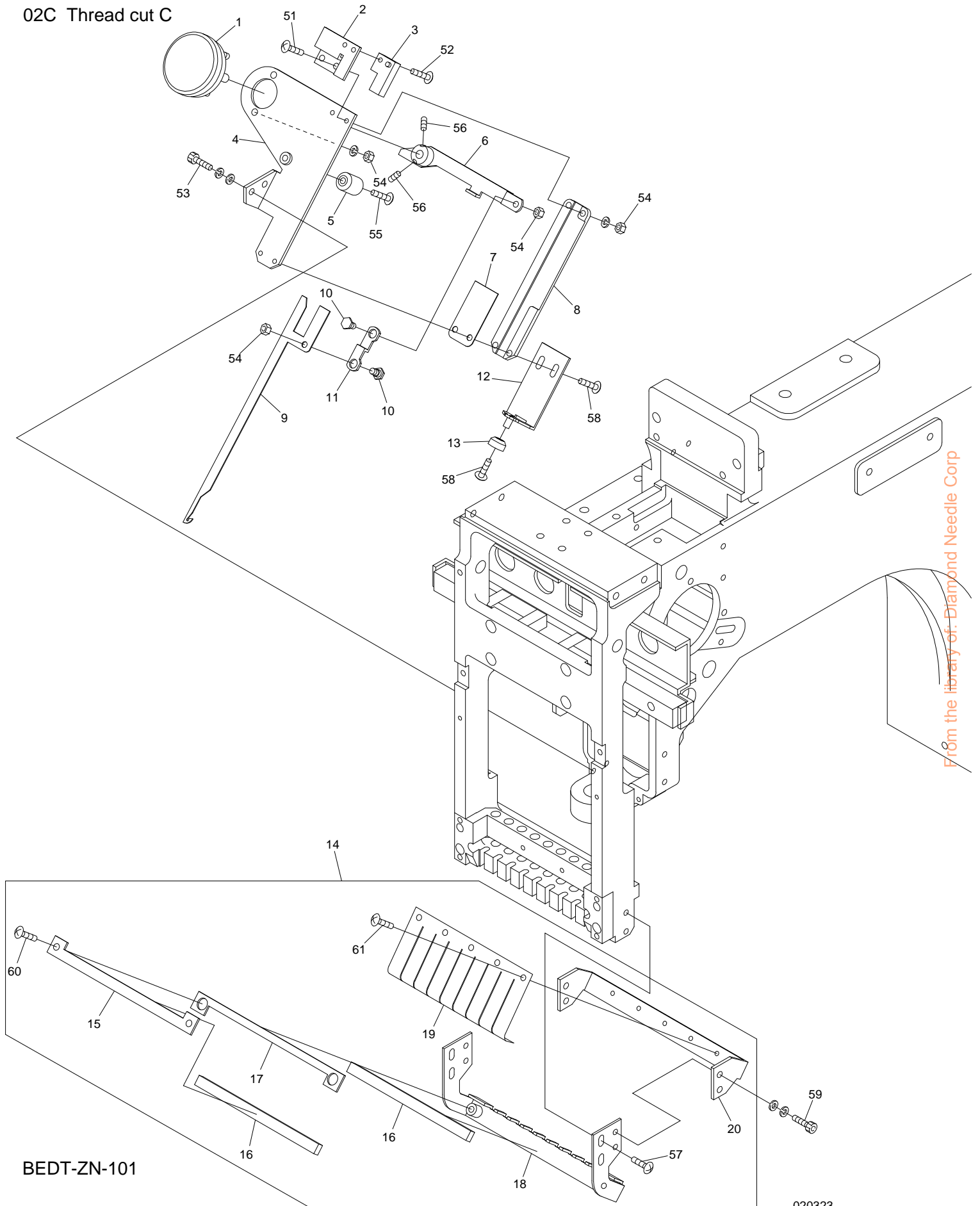
BEDT-ZN-101

02B Thread cut B



From the library of: Diamond Needle Corp

02C Thread cut C

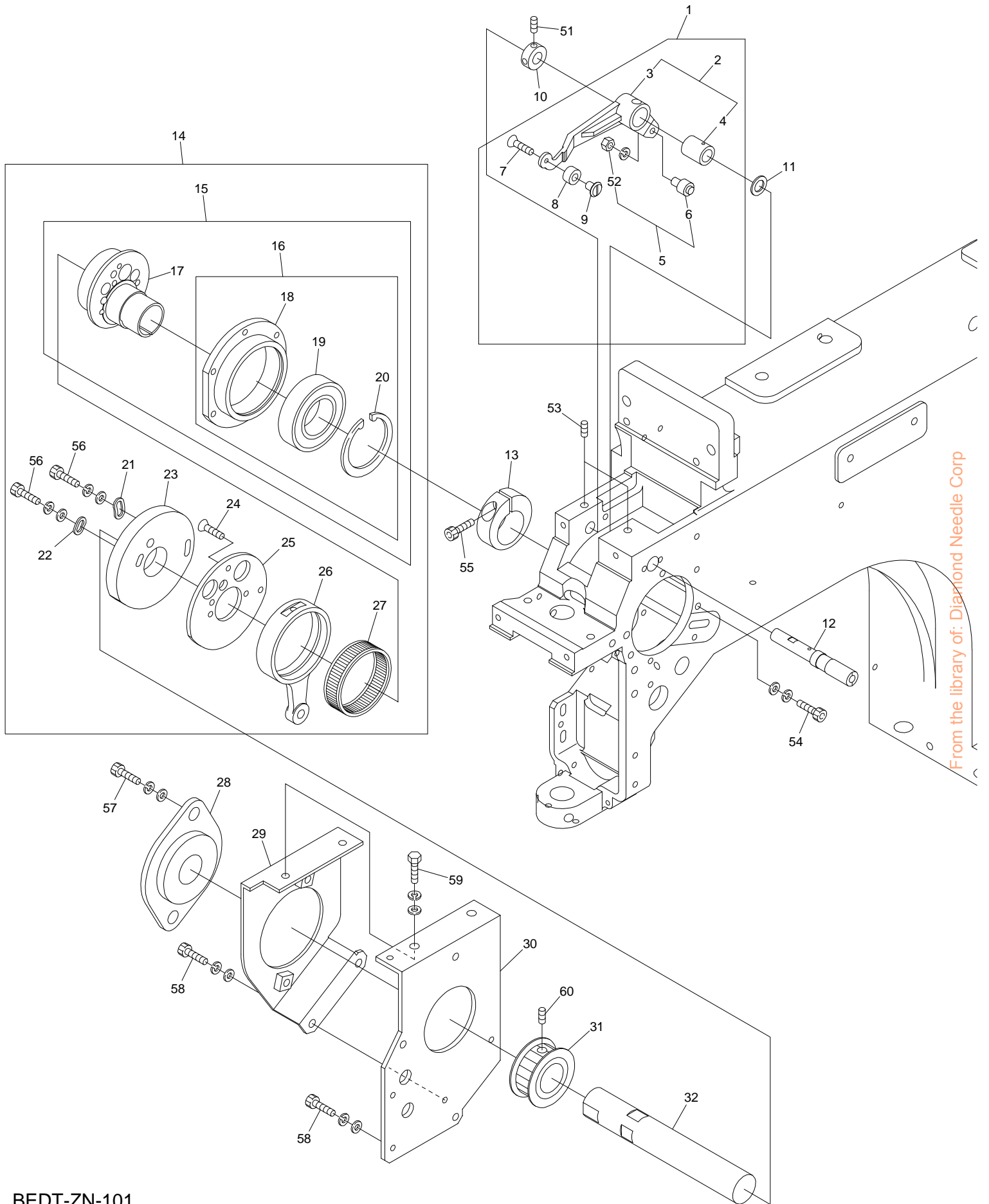


From the library of: Diamond Needle Corp

BEDT-ZN-101

020323

03 Take up lever B

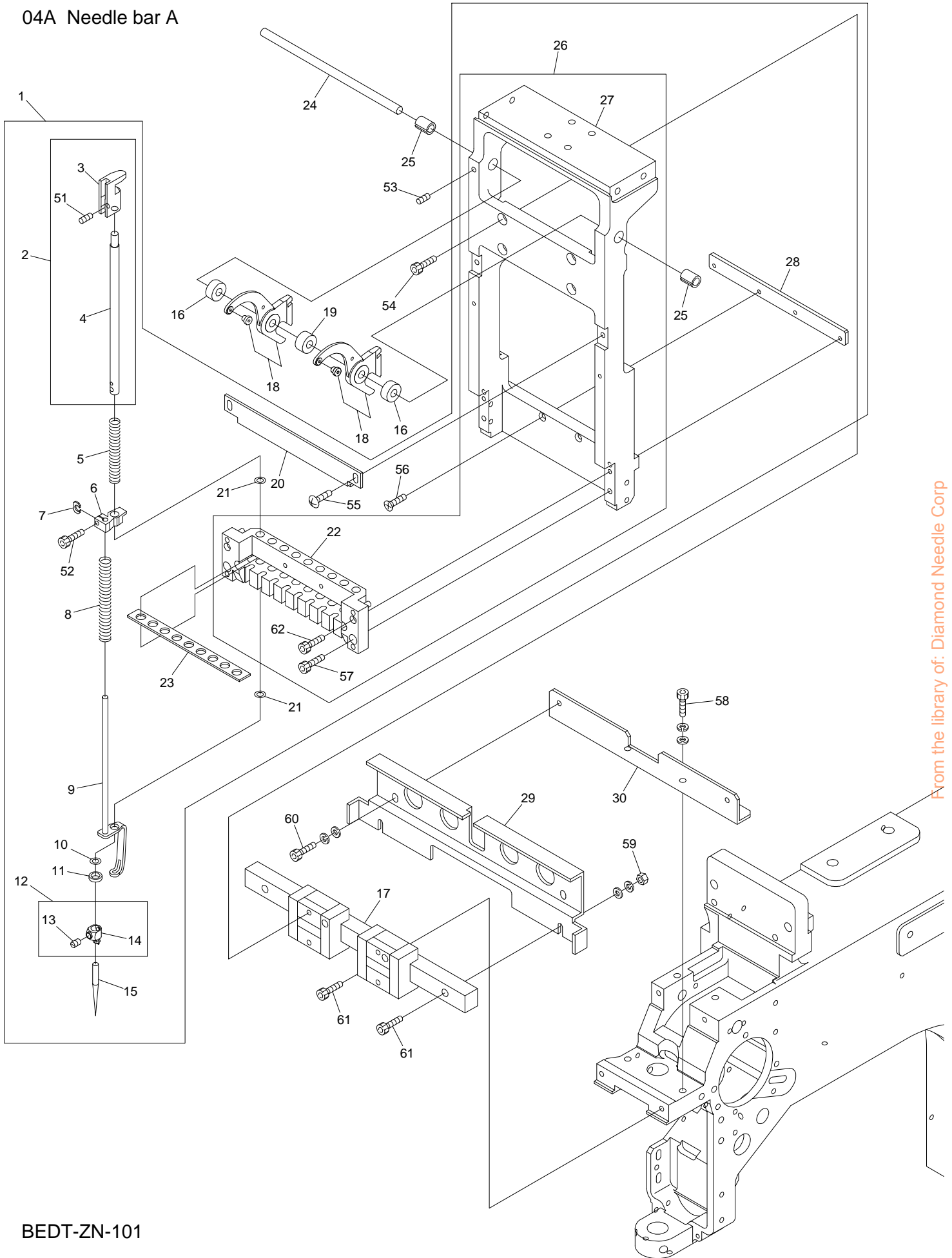


From the library of: Diamond Needle Corp

03 Take up lever

ITEM	LIST NO.	DESCRIPTION	Q'TY	NOTE
1	RV230070	Take up lever driving lever a'ssy	1	
2	RH230801	Take up lever driving lever(Metal)	1	
3	RH230311	Take up lever driving lever	1	
4	RH230810	Take up lever metal	1	
5	KF230501	Take up lever roller a'ssy	1	
6	KF230680	Cam followers(KR×4×7.9×15-1P×1)	1	
7	HB230650	Flush screw(With adhesion)	1	
8	RV230060	Take up lever driving roller	1	
9	RD230130	Take up lever driving roller shaft	1	
10	HB230800	Take up lever driving lever fixing pin set collar	1	
11	RH230610	Thrust washer	1	
12	RH230320	Take up lever driving lever fixing pin	1	
13	RH230330	Needle bar driving cam set collar	1	
14	MH230070	Take up lever?Needle bar drive a'ssy	1	
15	MH230080	Needle bar driving cam a'ssy	1	
16	RN230030	Bearing case a'ssy	1	
17	MH230090	Needle bar driving cam with groove	1	
18	RN230040	Bearing case	1	
19	A9010073	Ball bearing(6005ZZ)	1	
20	A9012421	C-ring for hole f47	1	
21	HB230080	Washer for cam(2)	1	
22	HB230070	Washer for cam(1)	1	
23	RH230290	Take up lever cam H6 f20	1	
24	HB230620	Flush screw	3	
25	RH230300	Take up lever cam base	1	
26	RH230280	Needle bar crank rod	1	
27	RH230271	Needle bearing	1	
28	A9011251	Frage unit(SBPFL 204)	1	
29	MH310110	Bearing bracket	1	
30	MH310100	Arm reinforcement bracket	1	
31	MH230051	Needle bar driving pulley	1	
32	MH230061	Upper shaft	1	
51		Hex.socket set screw M4×4(With adhesion)		
52		Hex.nut M4(With spring washer)		
53		Hex.socket set screw M5×5		
54		Hex.socket bolt M4×15(With washers)		
55		Hex.socket bolt M5×18		
56		Hex.socket bolt M4×8		
57		Hex.socket bolt M5×20		
58		Hex.socket bolt M4×10		
59		Hex.bolt M5×12		
60		Hex.socket set screw M6×6		

04A Needle bar A



From the library of: Diamond Needle Corp

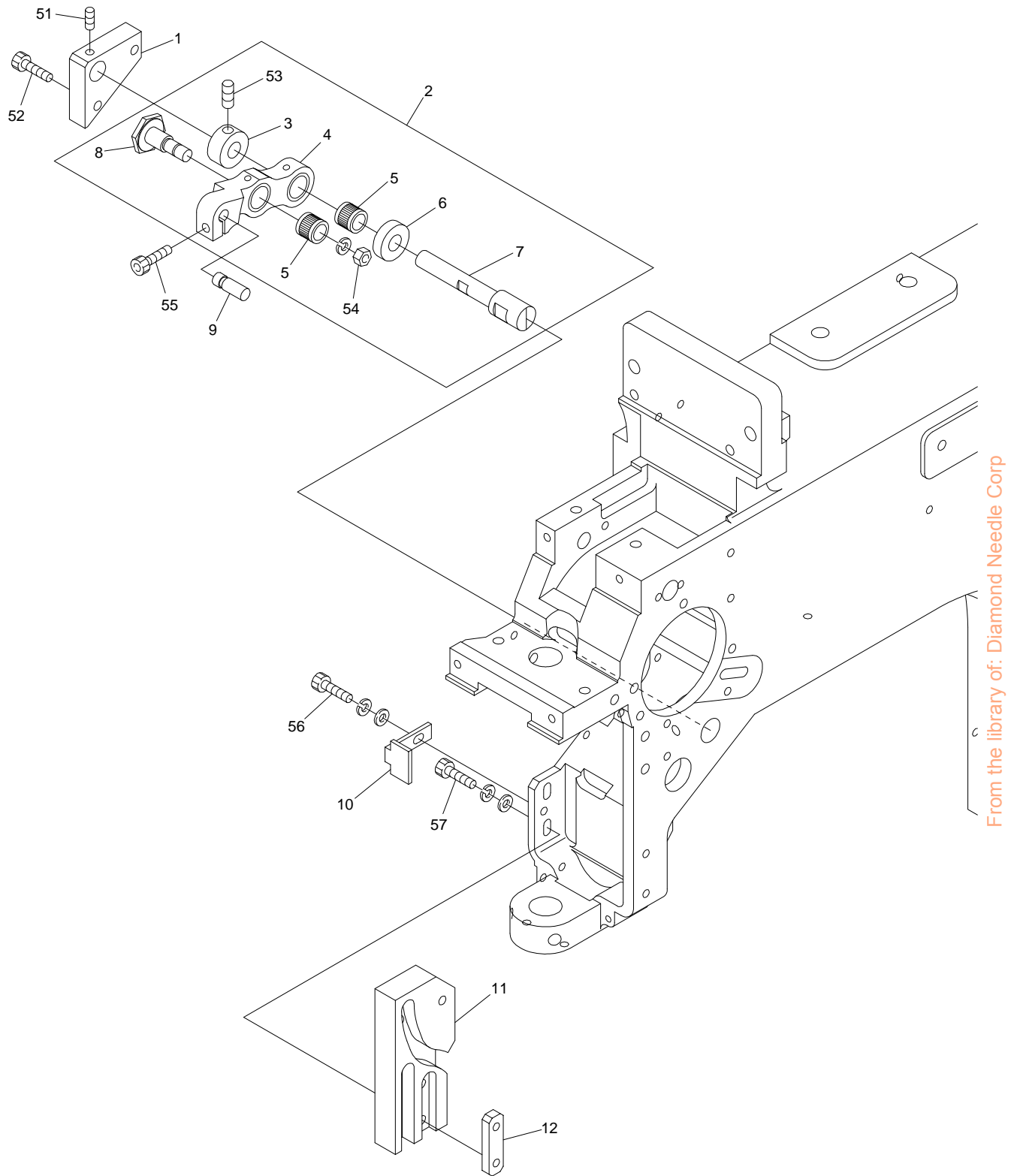
04A Needle bar A

ITEM	LIST NO.	DESCRIPTION	Q'TY	NOTE
1	MH230000	Slide block a'ssy(DT-ZN)	1	
2	RD230480	Needle bar a'ssy	9	
3	RD230490	Needle bar guide	9	
4	RH230410	Needle bar	9	
5	KV230040	Needle bar spring(Upper,for thick type)	9	
6	HT230330	Cloth hold set clamp	9	
7	HT230263	Washer for set clamp	9	
8	SG230220	Needle bar spring lower	9	
9	RD230370	Cloth hold(ZQ4)	9	
10	KF230910	O-ring(AN6227-5)	9	
11	HT230120	Washer 2.4	9	
12	RH230440	Needle clamp(With hook,set screw)	9	
13	RH230460	Needle clamp screw	9	
14	RH230450	Needle clamp(With hook)	9	
15	FN070011SNY	Needle(DBXK5-NY11S)	9	
16	SG230230	Take up lever spacer(t=6.1)	2	
17	A9011248	LM (SSR15XV2UUE+220LYF)	1	
18	KX230152	Take up lever(ZN multi)	9	
19	KX230141	Take up lever spacer	8	
20	MH230110	Needle bar stocker(DT-ZN)	1	
21	A9014167	O-ring SS065	18	
22	MH230031	Needle bar base(DT-ZN)	1	
23	MH230100	Needle bar felt(DT-ZN)	1	
24	MH230040	Take up lever shaft (DT-ZN)	1	
25	SG230200	Take up lever collar(Z12)	2	
26	MH230011	Slide block set(DT-ZN)	1	
27	MH230021	Slide block(DT-ZN)	1	
28	KX230040	Bearing plate	1	
29	MH230120	Take up lever stocker(DT-ZN)	1	
30	MH230130	LM support bracket	1	
51		Hex.socket double point screw M4x4		
52		Hex.socket bolt M3x8		
53		Hex.socket set screw M4x8		
54		Hex.socket bolt M4x10		
55		Hex.socket button bolt M4x8		
56		Hex.socket flush screw M3x14		
57		Hex.socket bolt M4x12		
58		Hex.socket bolt M5x14		
59		Hex.nut M4		
60		Hex.socket bolt M4x8		
61		Hex.socket bolt M4x14		
62		Hex.socket bolt M3x35		

04B Needle bar B

ITEM	LIST NO.	DESCRIPTION	Q'TY	NOTE
1	MH230140	Slide shaft a'ssy(DT-ZN)	1	
2	MH230180	Oil core(210mm)	1	
3	MH230170	Slide shaft(DT-ZN)	1	
4	KX230071	Slide shaft bush(Upper)	1	
5	HT230750	Oil core(30mm)	1	
6	HT230470	Small link pin	1	
7	HT230490	Link(Small)	1	
8	HT230730	Shim ring(10 t=0.3)	1	
9	A9012127	E-ring(3)	2	
10	KF230530	Roller(For take up lever)	2	
11	HT230450	Link roller joint pin	1	
12	HT230760	Oil core(8mm)	1	
13	HB230200	Needle bar driving link	1	
14	HT230510	Needle bar driver slide block	1	
15	SG230180	Link roller joint pin(Large)	1	
16	HT230480	Link(Large)	1	
17	SG230190	Washer for joint pin	1	
18	SG230030	Cloth hold slide block	1	
19	MH230200	Grip spring	1	
20	SG230000	Oil receive plate	1	
21	HT230340	Cloth hold support rubber	1	
22	HT230290	Needle bar beat fixing base	1	
23	HT230520	Needle bar driving stopper	1	
24	A9012368	Spacer(Roll bush)	1	
25	RH230550	Shim ring	1	
26	RH230540	Needle bar driver	1	
27	HT230280	Needle bar driver pin	1	
28	HT230560	Needle bar driver return spring	1	
29	A9012053	Hex.socket set screw(With steel ball) M6x0.7x8	1	
30	A9010065	Ball bearing 686zz	1	
31	LA230080	Slide shaft bush(Lower)	1	
32	LA230140	Bearing guide	1	
33	MH230190	Drive shaft felt	1	
34	SG230300	Bearing pin	1	
51		Hex.socket set screw M5x10		
52		Hex.socket set screw M4x6(With nylon)		
53		Hex.nut M4		
54		Hex.socket bolt M4x12(With washers)		
55		Hex.socket button bolt M3x6		
56		Hex.socket set screw M4x4(With nylon)		
57		Hex.socket bolt M2.5x6		
58		Hex.socket bolt M4x15(With washers)		
59		Hex.socket bolt M4x6(With washers)		
60		Hex.socket set screw(Dog point) M4x12		

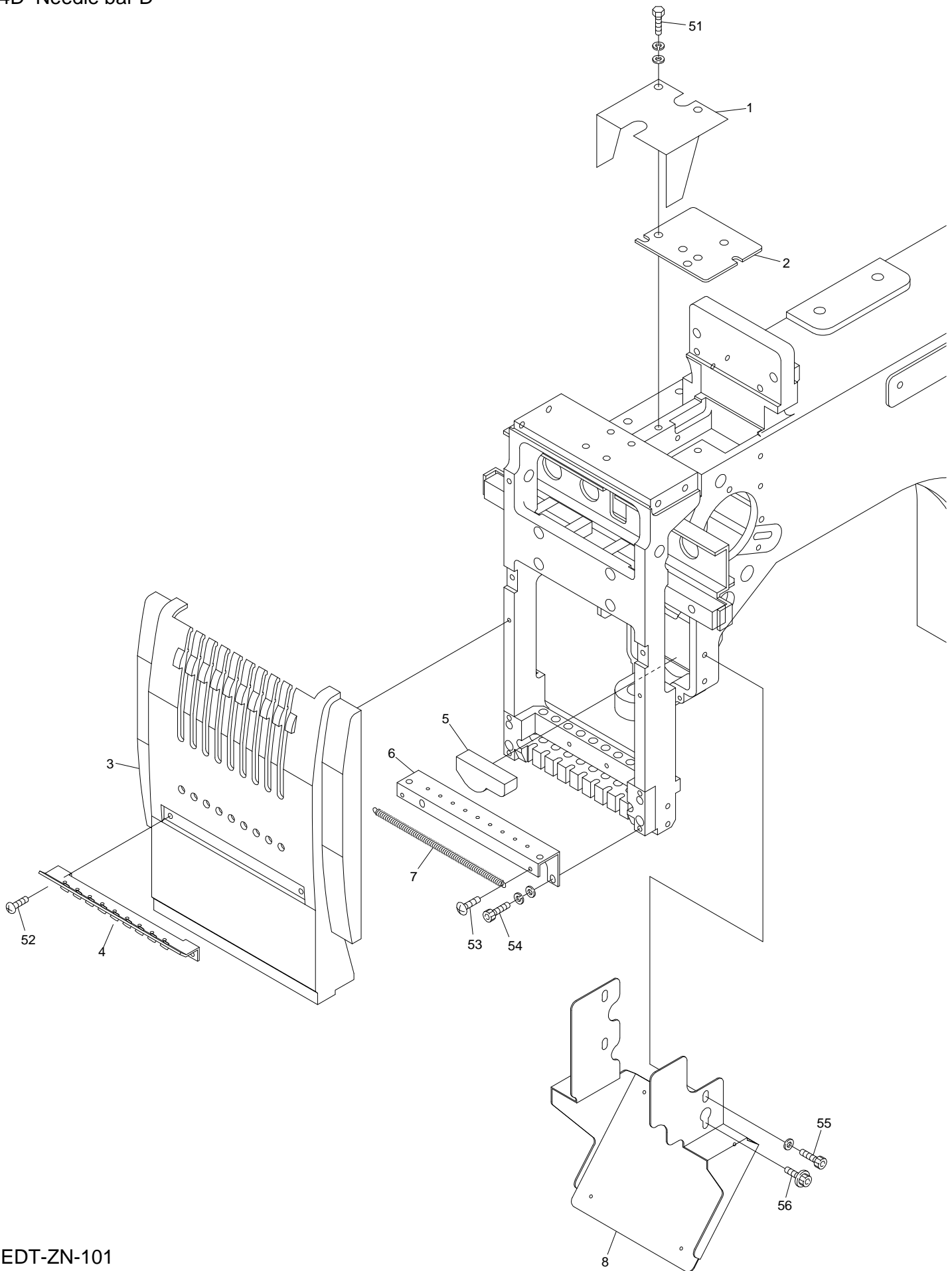
04C Needle bar C



04C Needle bar C

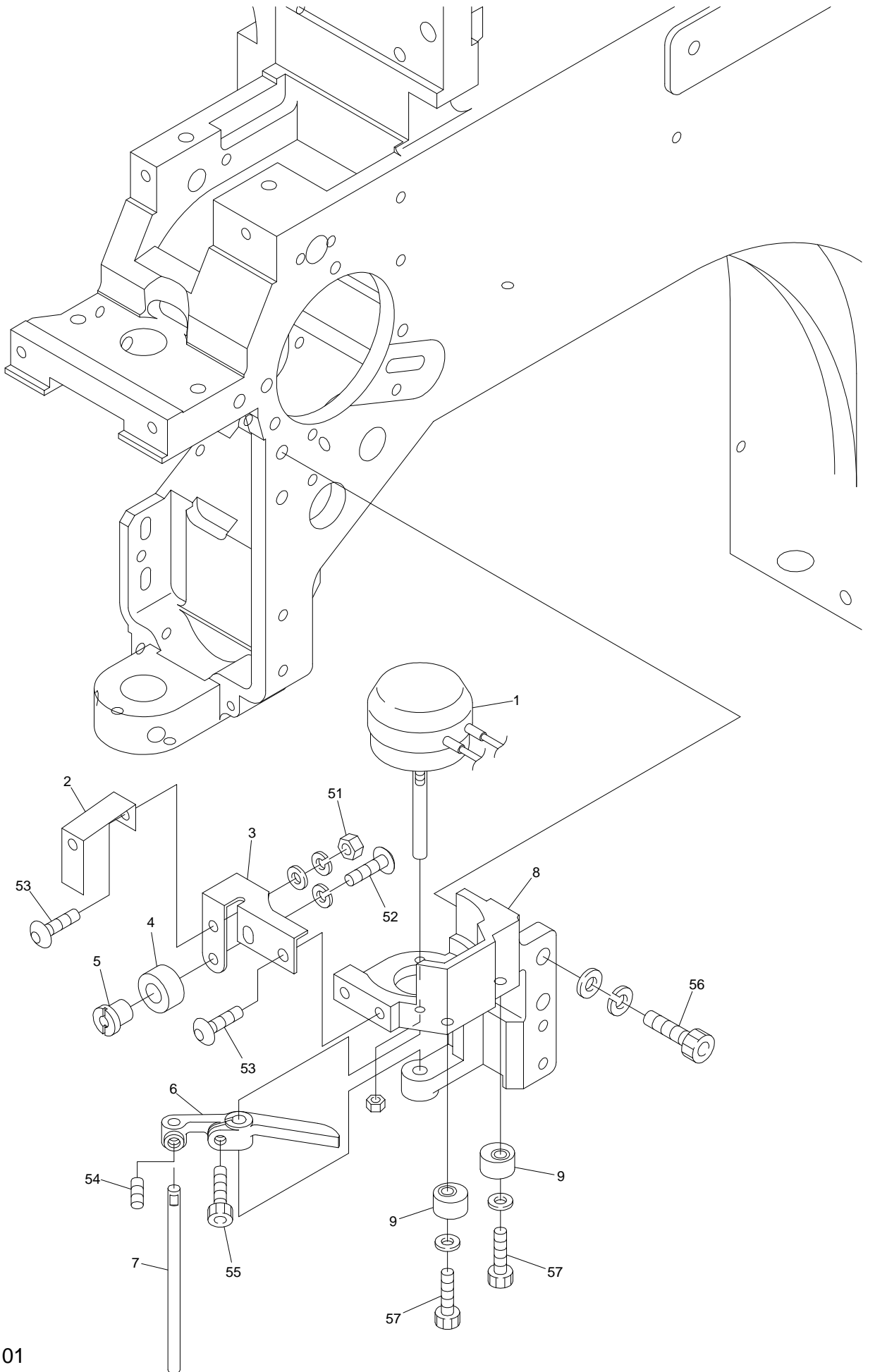
ITEM	LIST NO.	DESCRIPTION	Q'TY	NOTE
1	MH230150	Lever pin block(515 white)	1	
2	RR230090	Needle bar driving lever set(P25.65)	1	
3	HB230271	Needle bar driving lever fixing pin set collar	1 1	
4	RR230080	Needle bar driving lever(P25.65)	1	
5	HB230361	Needle roller with retainer(KV8x11x10SV2)	2	
6	HB230281	Needle bar driving lever fixing pin collar	1	
7	HT230410	Needle bar driving lever fixing pin	1	
8	HB230261	Needle bar driving lever connecting pin	1	
9	HB230220	Needle bar driving lever pin(B)	1	
10	SG230270	Cam guide plate	1	
11	SG230210	Cloth hold cam(K3)	1	
12	HT230380	Cam tap plate	1	
51		Hex.socket set screw M4x4(With nylon)		
52		Hex.socket bolt M4x12(With washers)		
53		Hex.socket set screw M5x5		
54		Hex.nut M6(With spring washer)		
55		Hex.socket bolt M4x14(With adhesive)		
56		Hex.socket bolt M4x8		
57		Hex.socket bolt M4x15		

04D Needle bar D



From the library of: Diamond Needle Corp

05 Jump

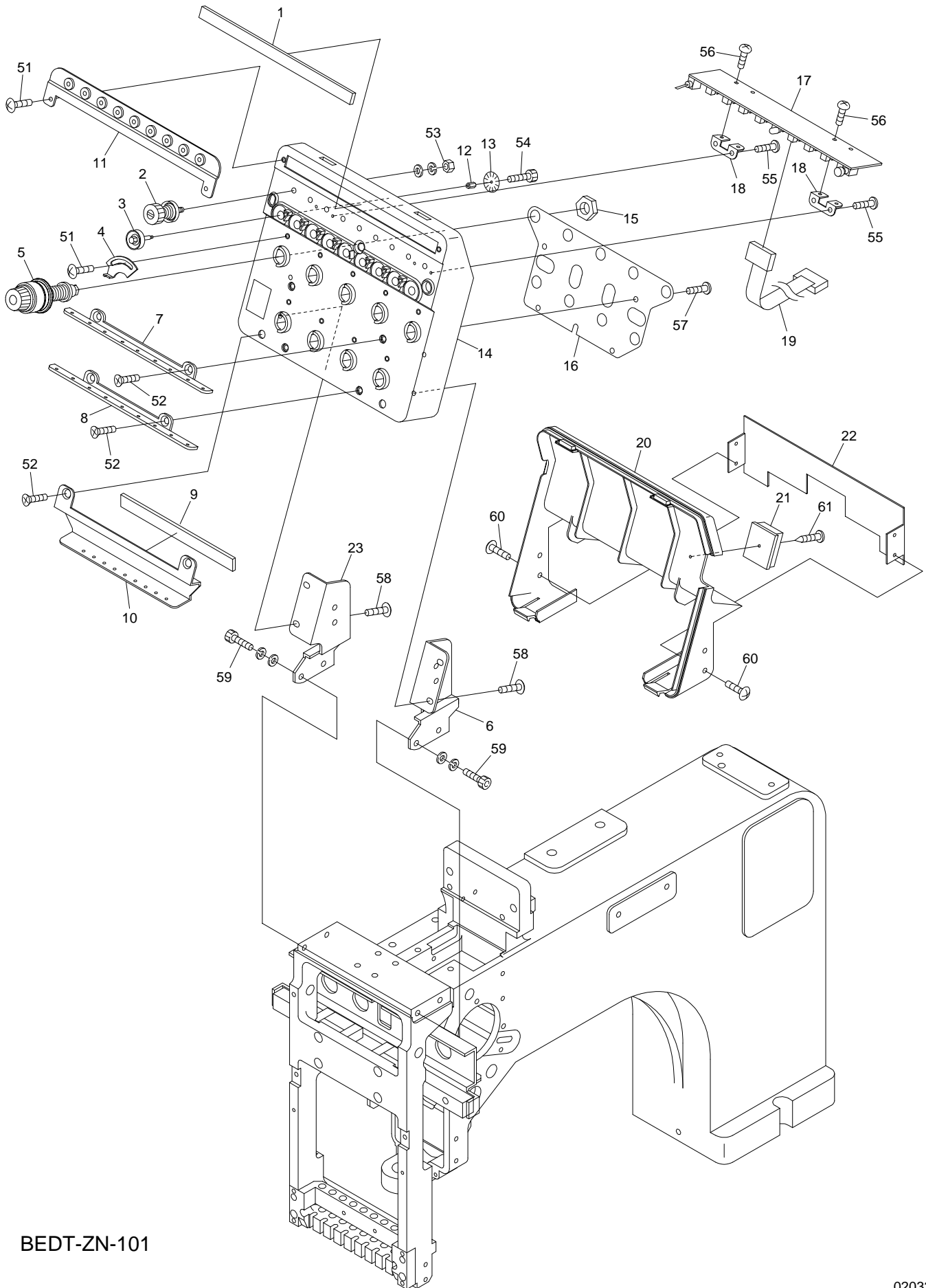


From the library of: Diamond Needle Corp

BEDT-ZN-101

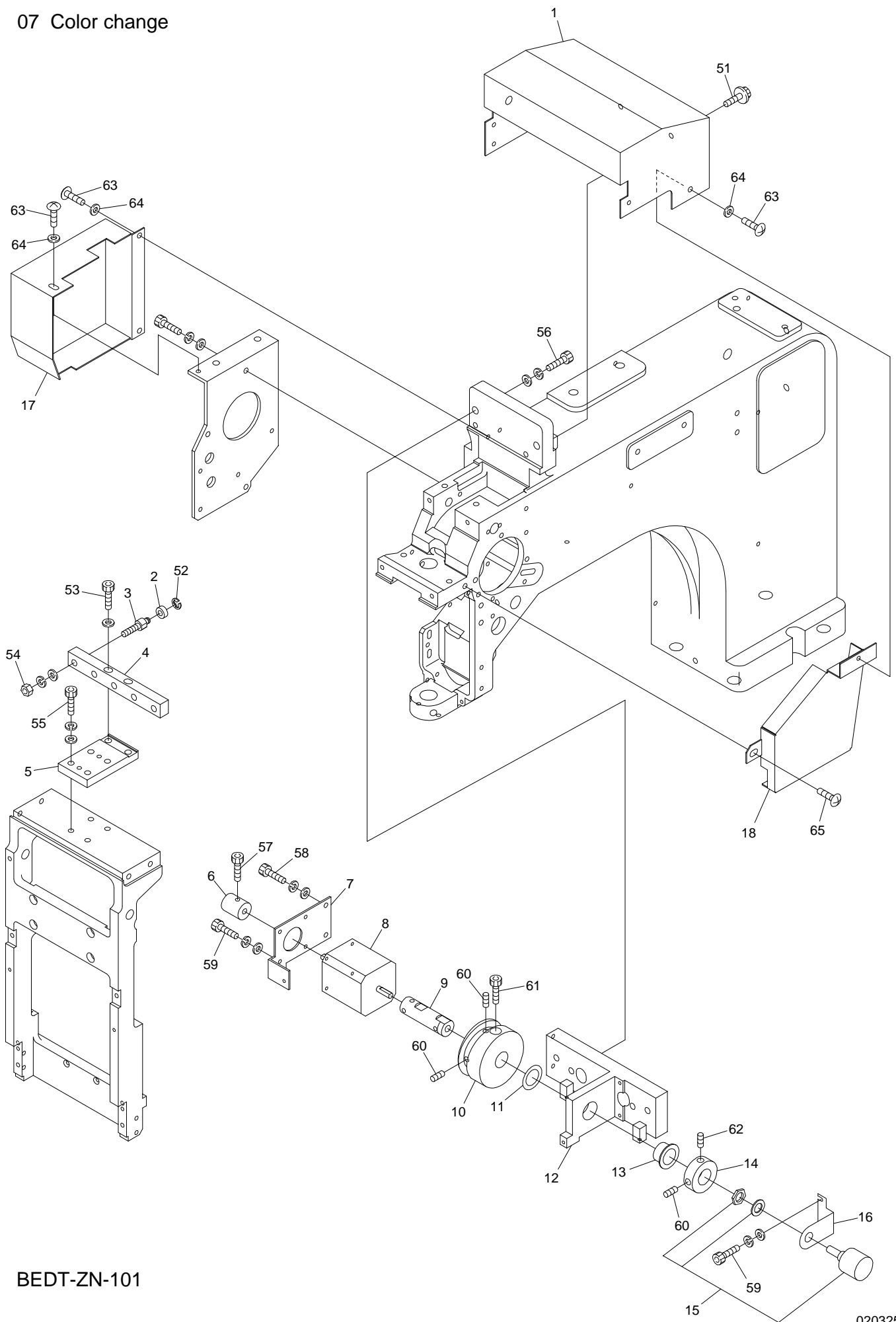
020325

06 Thread guide



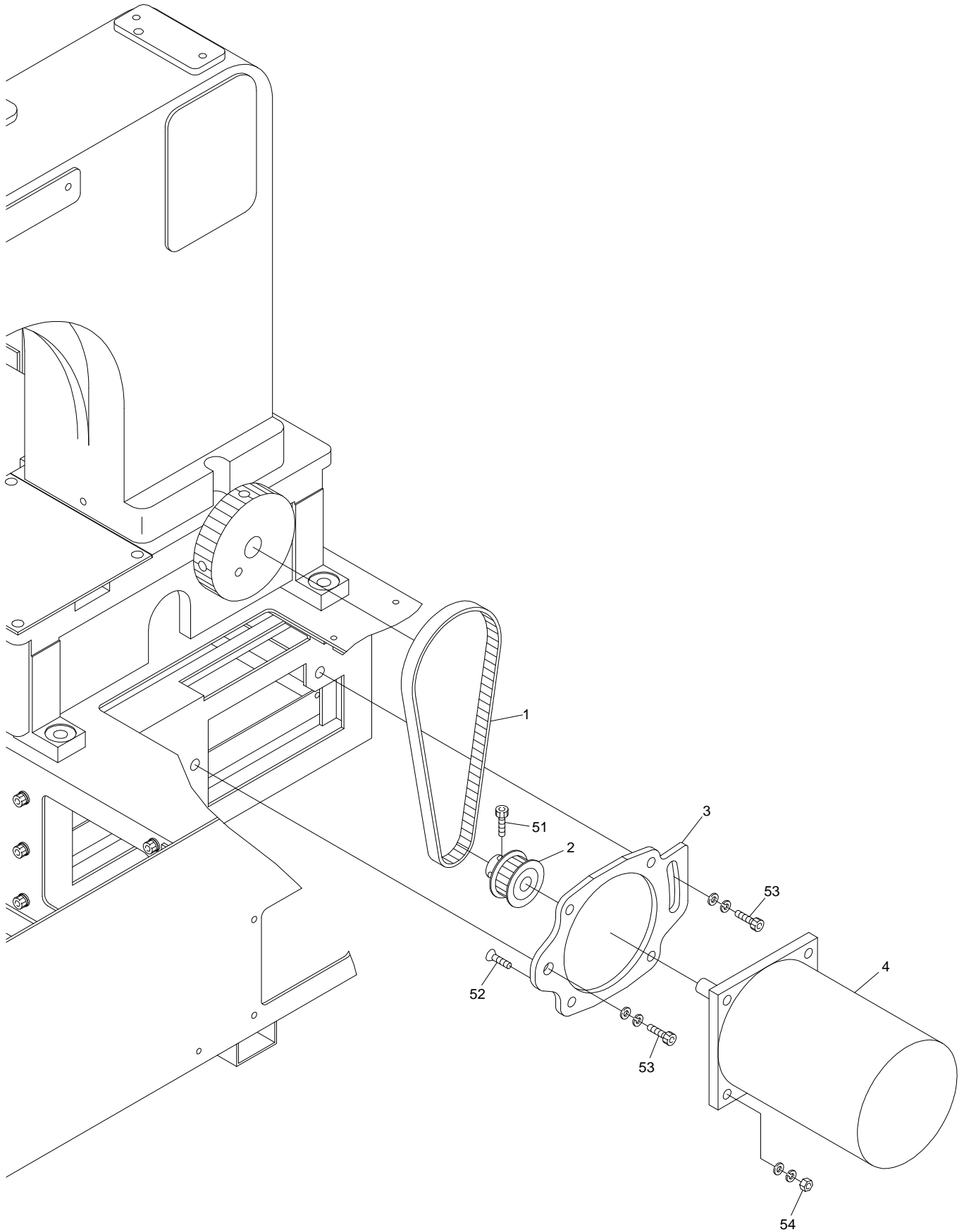
BEDT-ZN-101

07 Color change

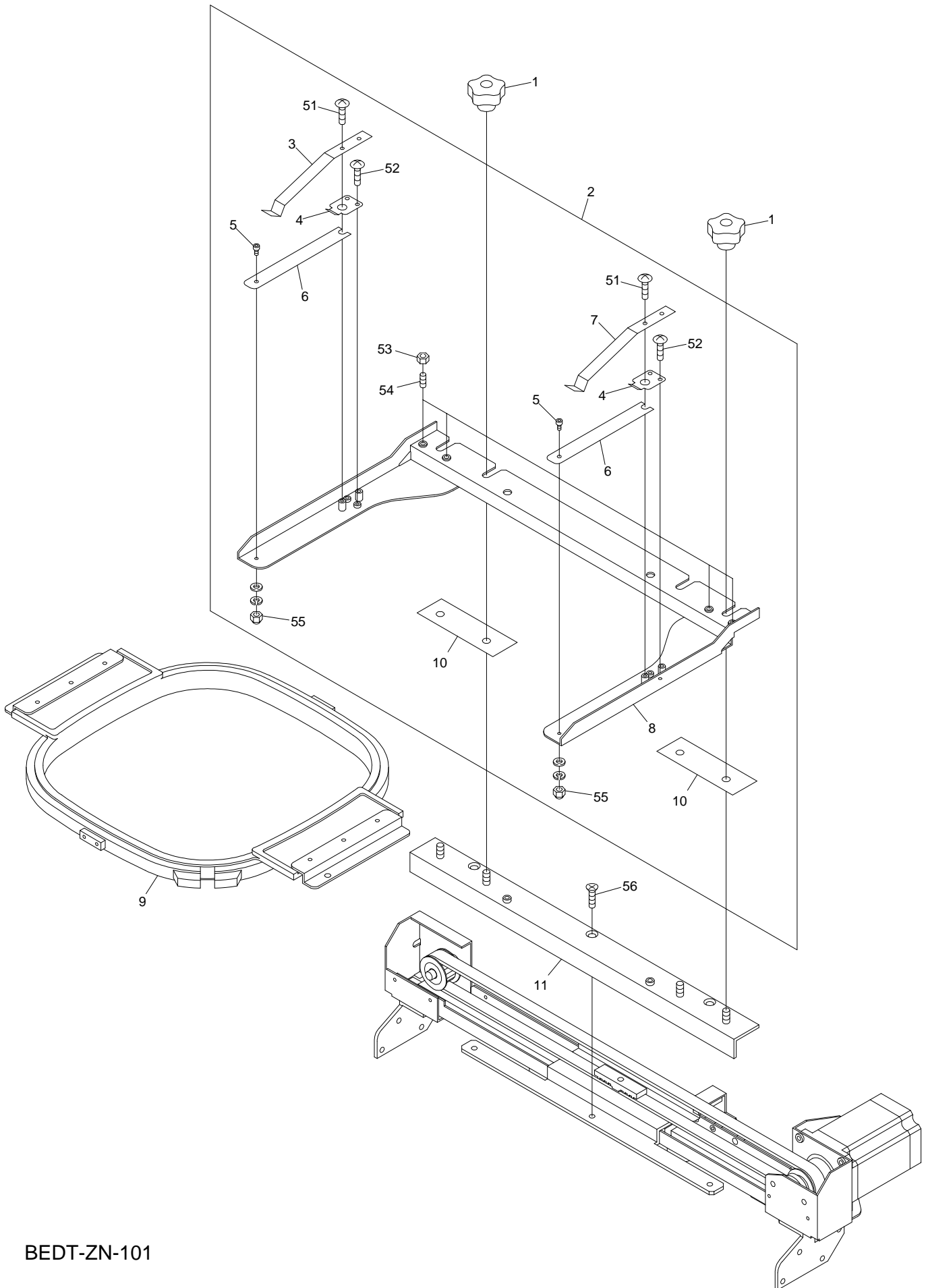


BEDT-ZN-101

From the library of: Diamond Needle Corp

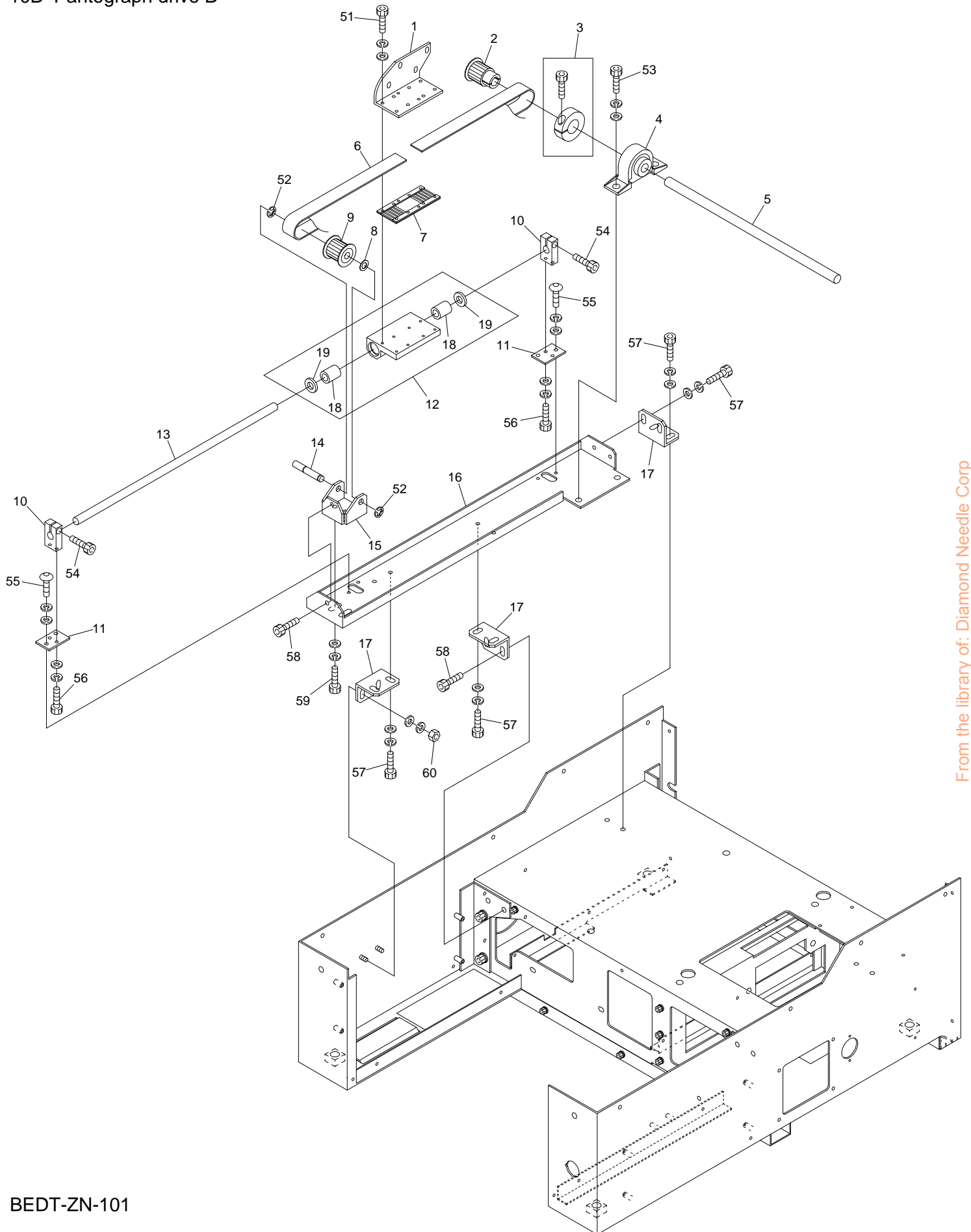


10A Pantograph drive A



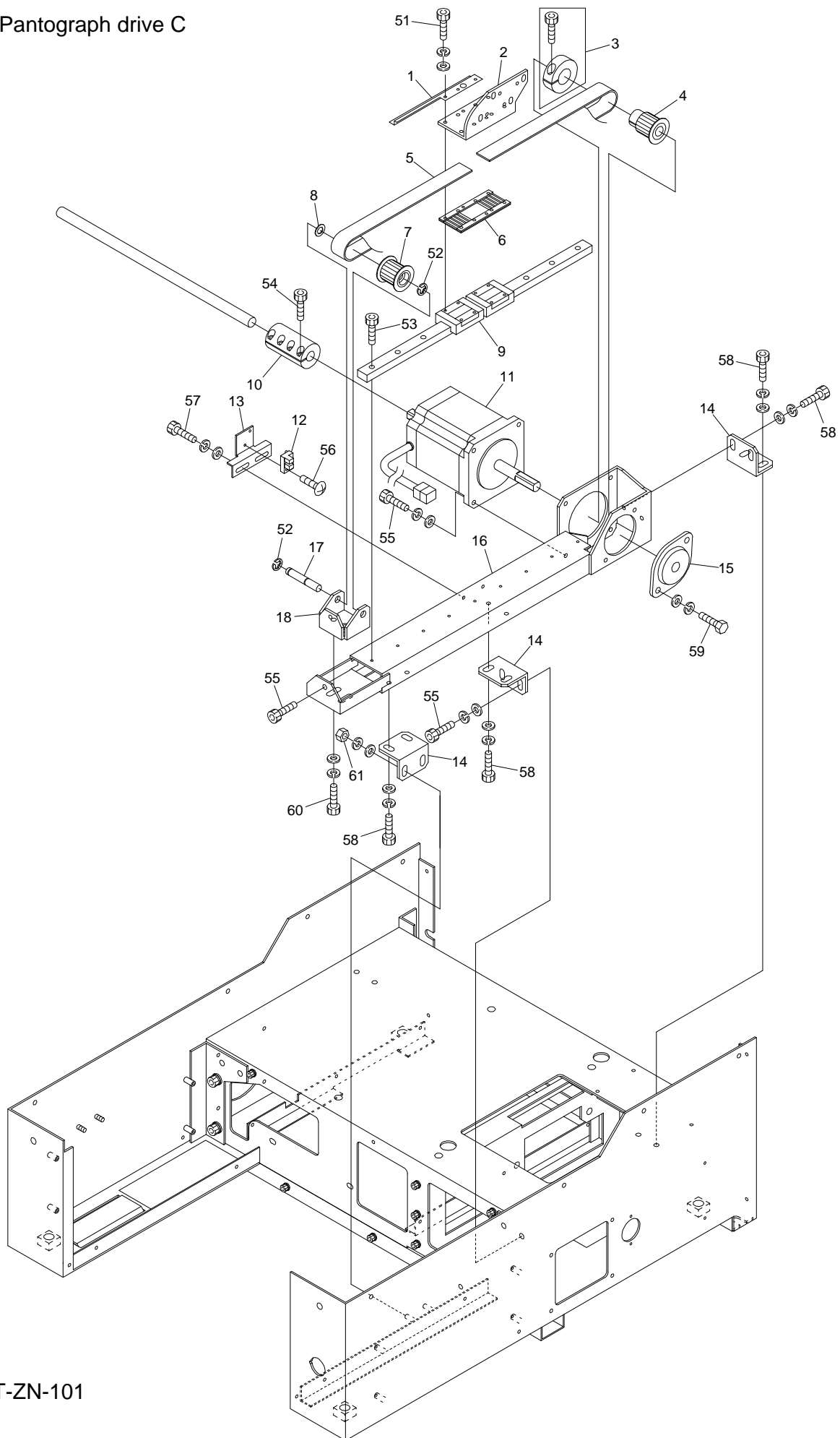
From the library of: Diamond Needle Corp

10B Pantograph drive B

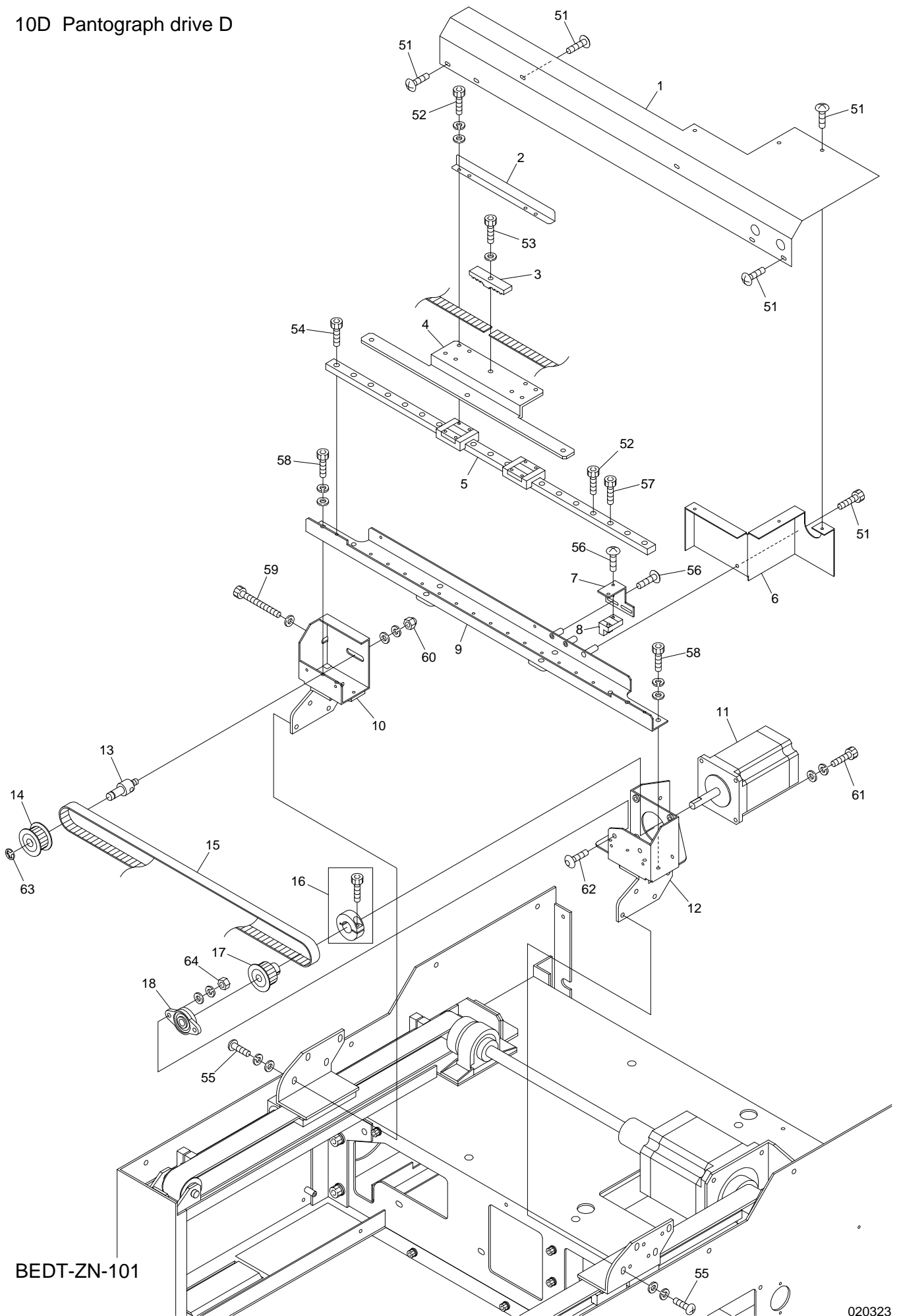


From the library of: Diamond Needle Corp

10C Pantograph drive C



10D Pantograph drive D

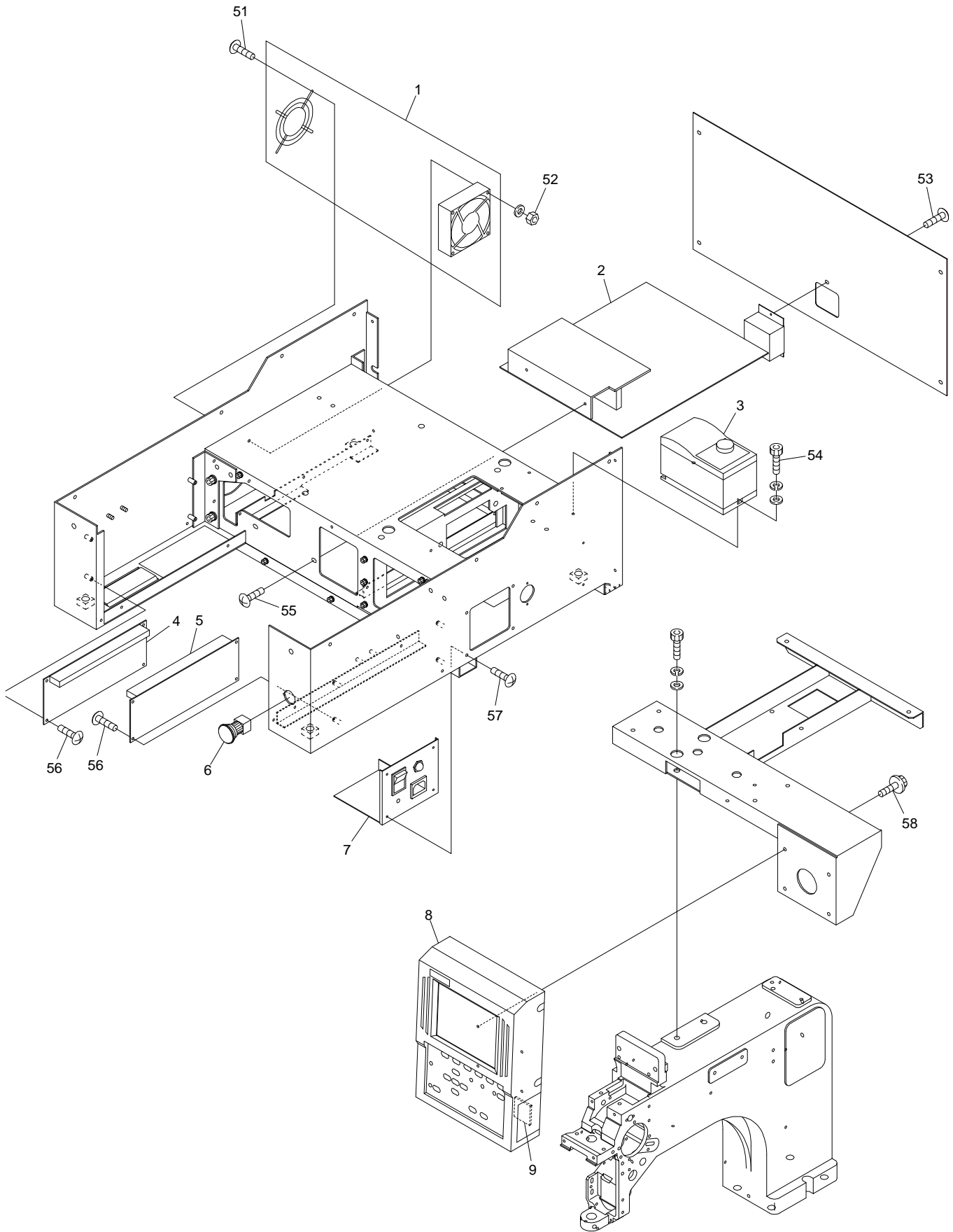


From the library of: Diamond Needle Corp

BEDT-ZN-101

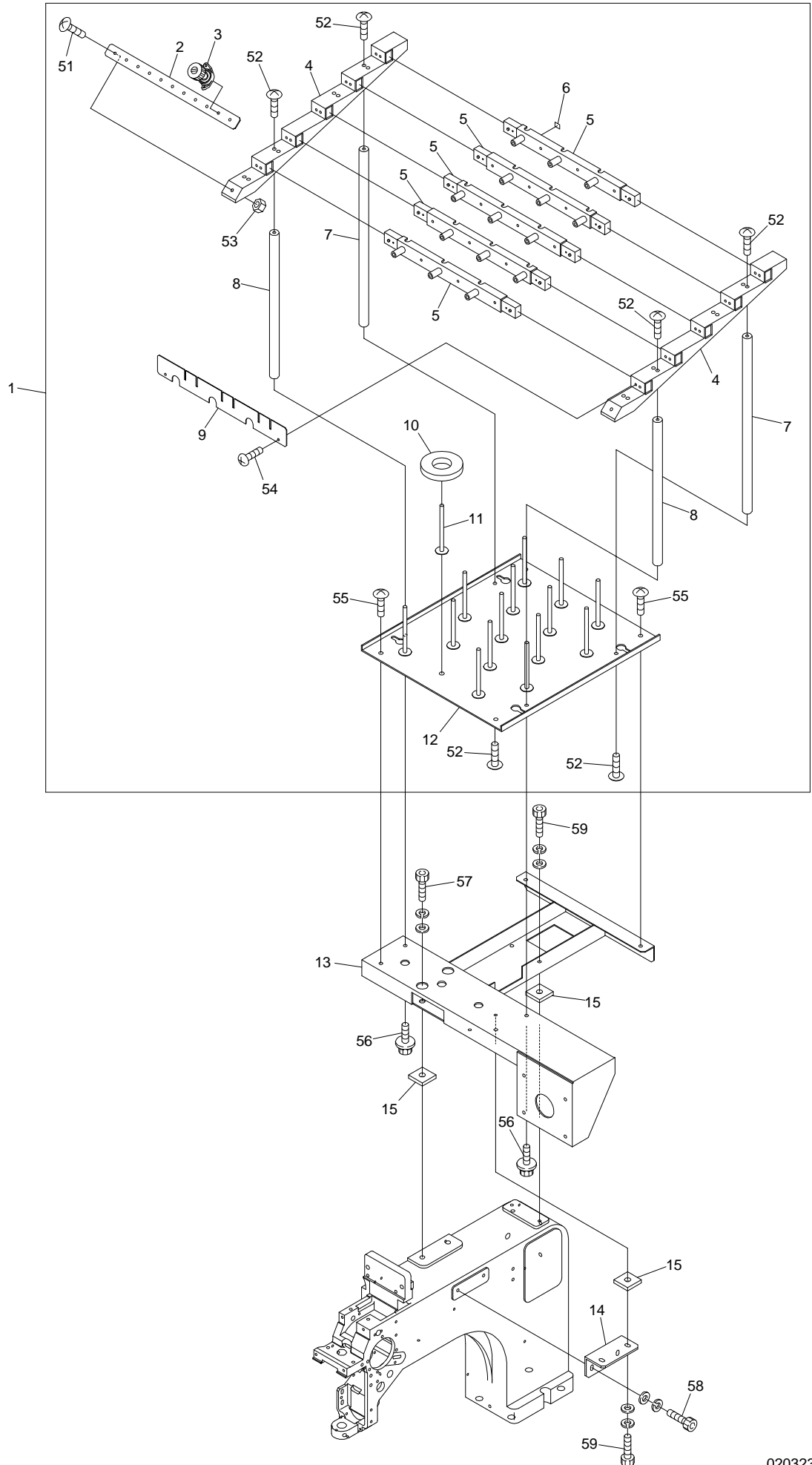
020323

11 Control



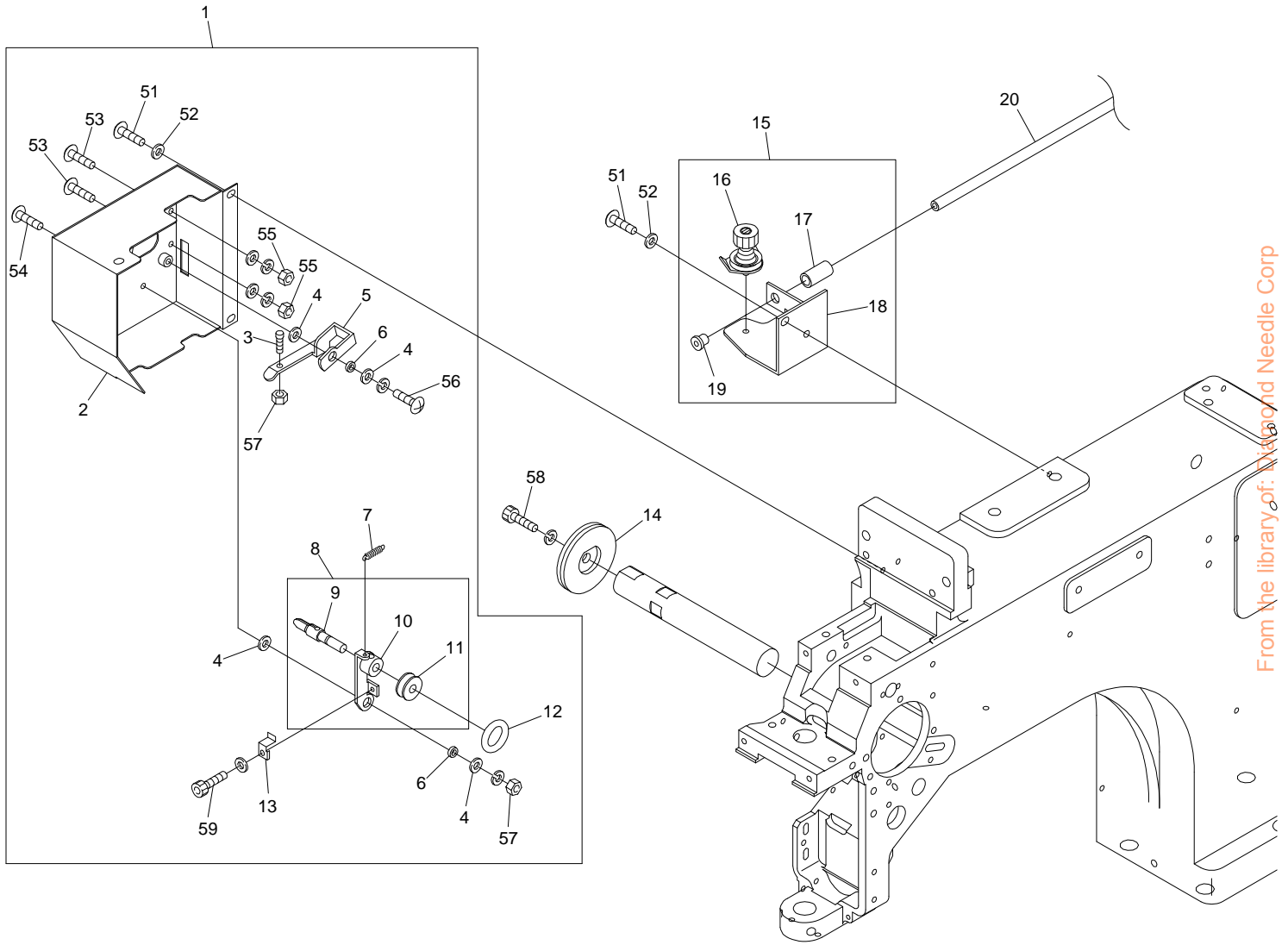
From the library of: Diamond Needle Corp

12 Accessories



BEDT-ZN-101

13 Lower thread roll



From the library of: **Wahson Needle Corp**

List No.	Section No.	Item	List No.	Section No.	Item
A9010063	07	2	A9056040	02A	15
A9010065	04B	30	A9056041	02C	1
A9010073	03	19	A9068032	06	21
A9010109	07	11	EAY070A1	11	8
A9010110	01B	8	EBY01625	06	19
A9011103	10B	18	EBY01710	11	6
A9011111	01B	15	EBY02580	06	17
A9011123	10B	19	EBY02620	11	2
A9011236	10B	4	EBY02630	11	3
A9011241	07	13	EBY02640	11	7
A9011245	10B	13	EBY02650	11	5
A9011246	10C	9	EBY02660	11	4
A9011247	10D	5	EBY02670	11	3
A9011248	04A	17	EBY02710	10C	12
A9011249	10C	15	EBY02710	10D	8
A9011250	10D	18	EBY02720	11	1
A9011251	03	28	FN070011SNY	04A	15
A9011252	01B	21	FR92240240A380A	10A	9
A9011253	01B	4	HB230070	03	22
A9012027	01A	10	HB230080	03	21
A9012053	04B	29	HB230200	04B	13
A9012114	02B	12	HB230220	04C	9
A9012127	04B	9	HB230261	04C	8
A9012164	10B	8	HB230271	04C	3
A9012164	10C	8	HB230281	04C	6
A9012368	04B	24	HB230361	04C	5
A9012421	03	20	HB230620	03	24
A9012433	10A	1	HB230650	03	7
A9012436	00	3	HB230800	03	10
A9013066	02A	11	HB240020	05	6
A9013071	01B	12	HB240030	05	7
A9013072	10D	16	HB240041	05	9
A9014167	04A	21	HH481980	10B	3
A9019071	00	13	HH481980	10C	3
A9019072	13	4	HP220712	01A	19
A9020206	08	1	HP241430	12	3
A9020207	01B	2	HP321082	01B	20
A9020208	10B	6	HP321090	01B	19
A9020208	10C	5	HS210031	01A	9
A9020209	10D	15	HS210051	02A	1
A9020210	01B	3	HS210080	02A	19
A9052028	02C	3	HS210300	02A	2
A9052078	02B	1	HT220061	01A	18
A9054053	11	9	HT230120	04A	11
A9056039	05	1	HT230220	05	4

List No.	Section No.	Item	List No.	Section No.	Item
HT230263	04A	7	KL270260	02C	2
HT230280	04B	27	KL270450	02C	7
HT230290	04B	22	KN270952	02A	10
HT230330	04A	6	KN270961	02A	8
HT230340	04B	21	KN272010	02A	12
HT230380	04C	12	KN272401	02A	17
HT230410	04C	7	KN272401	02C	5
HT230450	04B	11	KN540510	06	12
HT230470	04B	6	KV230040	04A	5
HT230480	04B	16	KX230040	04A	28
HT230490	04B	7	KX230071	04B	4
HT230510	04B	14	KX230141	04A	19
HT230520	04B	23	KX230152	04A	18
HT230560	04B	28	KX240161	04D	4
HT230620	05	5	KX250080	01A	13
HT230730	04B	8	KX250080	02A	5
HT230750	04B	5	KX270000	02A	21
HT230760	04B	12	KX270010	02A	9
HT240101	06	13	KX270023	02A	7
HT240180	06	15	KX270283	02A	6
HT240290	06	3	KX270430	02A	20
HT240480	13	19	KX330160	07	3
HT270181	02A	13	KX330280	07	5
HT710000	12	11	LA230080	04B	31
KC250482	01A	8	LA230140	04B	32
KC271001	02A	3	LA250040	01A	15
KC271120	02B	11	LA270040	02A	16
KC271940	02A	18	LA730610	10A	5
KF220230	01A	4	MB295250	02B	4
KF220290	01A	16	MB295260	02B	7
KF220530	01A	2	MB295270	02B	6
KF220710	01A	3	MB295290	02B	5
KF221020	01A	1	MF210070	02B	3
KF230501	03	5	MF210080	02B	2
KF230530	04B	10	MF310000	08	2
KF230680	03	6	MF330020	07	4
KF230910	04A	10	MF510000	01B	10
KF710390	12	10	MF510010	07	15
KL220070	01A	17	MF510020	02B	10
KL220120	01A	11	MF510030	08	4
KL220140	01A	5	MG210050	02B	9
KL270091	02C	8	MG210070	02B	8
KL270101	02C	9	MG330030	07	10
KL270120	02C	11	MG330040	07	9
KL270130	02C	10	MG330050	07	12

List No.	Section No.	Item	List No.	Section No.	Item
MG330060	07	7	MH240041	06	9
MG330070	07	16	MH240051	06	11
MG330080	07	14	MH240060	06	14
MG330090	07	6	MH250000	01A	14
MG330110	07	8	MH250010	07	1
MH110001	00	12	MH250020	07	18
MH110020	00	16	MH250031	10D	1
MH110031	00	15	MH250041	10D	6
MH120000	00	2	MH250050	00	14
MH120010	00	4	MH250060	00	8
MH120020	00	1	MH250071	00	5
MH210021	01B	9	MH250080	00	11
MH210031	01A	12	MH250090	00	9
MH210040	01A	7	MH250101	01B	1
MH210050	00	6	MH250110	01B	24
MH210060	01B	23	MH250120	04D	3
MH210070	00	7	MH250130	07	17
MH210080	01B	16	MH250140	00	10
MH210090	01B	17	MH270000	04D	6
MH210100	01B	18	MH270010	04D	7
MH220000	01A	6	MH270020	02A	4
MH230000	04A	1	MH270030	02A	14
MH230011	04A	26	MH270040	02C	14
MH230021	04A	27	MH270050	02C	18
MH230031	04A	22	MH270060	02C	20
MH230040	04A	24	MH270070	02C	19
MH230051	03	31	MH270080	02C	13
MH230061	03	32	MH270090	02C	12
MH230070	03	14	MH270100	02C	15
MH230080	03	15	MH270110	02C	16
MH230090	03	17	MH270120	02C	17
MH230100	04A	23	MH310000	08	3
MH230110	04A	20	MH310010	01B	11
MH230120	04A	29	MH310020	01B	22
MH230130	04A	30	MH310031	01B	14
MH230140	04B	1	MH310041	01B	13
MH230150	04C	1	MH310051	01B	25
MH230160	05	2	MH310060	01B	6
MH230170	04B	3	MH310070	01B	5
MH230180	04B	2	MH310091	01B	7
MH230190	04B	33	MH310100	03	30
MH230200	04B	19	MH310110	03	29
MH240011	06	6	MH480010	10C	16
MH240021	06	23	MH480020	10B	16
MH240030	06	10	MH480030	10B	2

List No.	Section No.	Item	List No.	Section No.	Item
MH480030	10C	4	MH620140	13	16
MH480040	10B	9	MH620160	13	18
MH480040	10C	7	MH620170	13	14
MH480050	10B	5	MH710001	12	13
MH480060	10C	10	MH710010	12	14
MH480070	10B	10	MH710020	12	1
MH480080	10B	12	MH710030	12	2
MH480090	10B	7	MH710040	12	9
MH480090	10C	6	MH710051	12	15
MH480100	10C	2	MH730001	10A	2
MH480110	10B	1	MH730011	10A	8
MH480120	10B	14	MH730020	10A	7
MH480120	10C	17	MH730030	10A	3
MH480130	10B	15	MH730041	10A	11
MH480130	10C	18	MH730060	10A	4
MH480140	10B	17	MH730070	10A	6
MH480140	10C	14	MH730080	10A	10
MH480150	10C	13	MH790000	01B	26
MH480160	10C	1	MH790010	00	17
MH480171	10D	9	RD230130	03	9
MH480180	10D	17	RD230250	05	8
MH480190	10D	14	RD230370	04A	9
MH480201	10D	12	RD230480	04A	2
MH480210	10D	10	RD230490	04A	3
MH480221	10D	4	RD240154	06	5
MH480230	10D	3	RD710120	13	17
MH480240	10D	13	RD710310	13	20
MH480250	10D	7	RD710321	12	12
MH480261	10D	2	RD710330	12	5
MH480270	10B	11	RD710340	12	4
MH480280	10D	11	RD710351	12	8
MH480290	10C	11	RD710361	12	7
MH620010	13	1	RD710380	12	6
MH620020	13	8	RH230271	03	27
MH620030	13	10	RH230280	03	26
MH620040	13	9	RH230290	03	23
MH620050	13	11	RH230300	03	25
MH620060	13	2	RH230311	03	3
MH620070	13	12	RH230320	03	12
MH620080	13	7	RH230330	03	13
MH620090	13	6	RH230410	04A	4
MH620100	13	13	RH230440	04A	12
MH620110	13	5	RH230450	04A	14
MH620120	13	3	RH230460	04A	13
MH620130	13	15	RH230540	04B	26

